

4

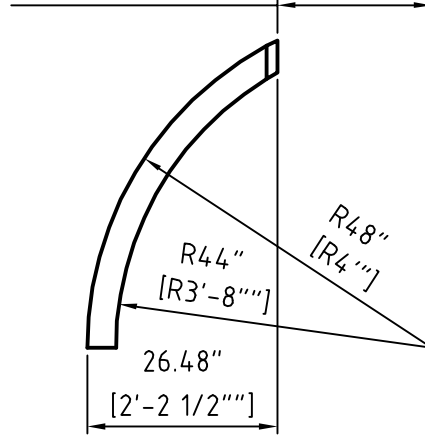
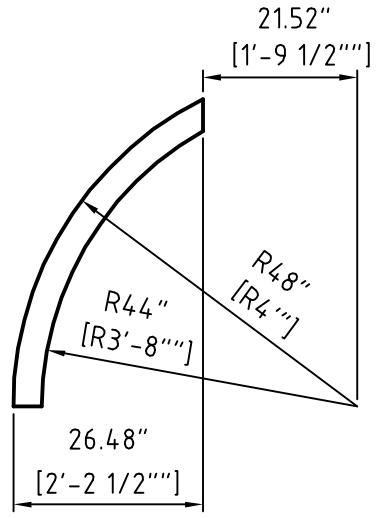
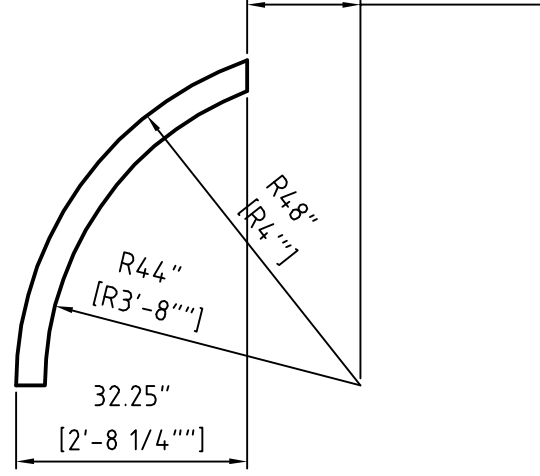
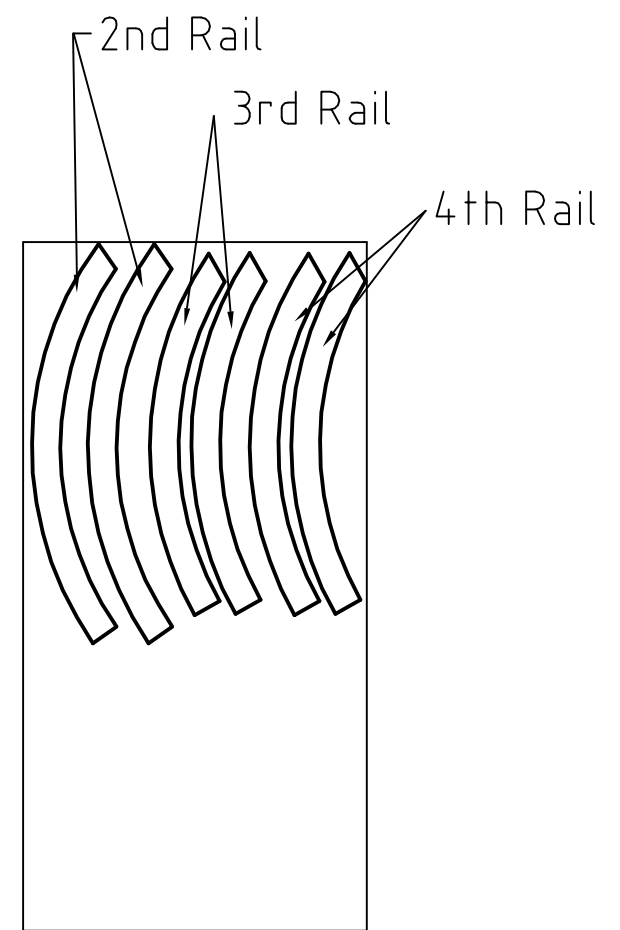
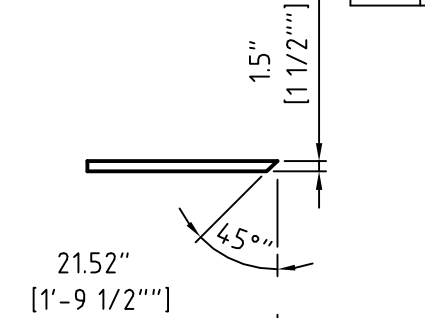
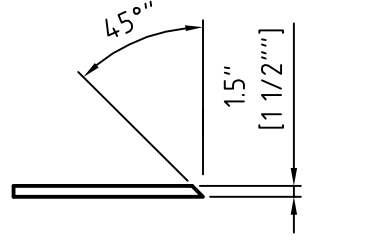
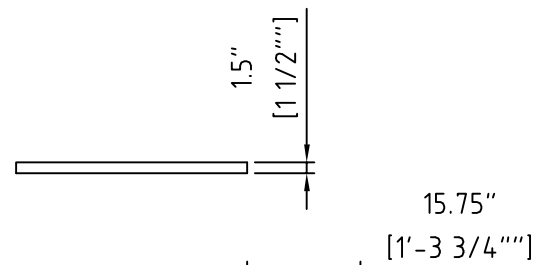
3

2

1

REVISIONS

REV	DESCRIPTION	DATE	APPROVED
-----	-------------	------	----------

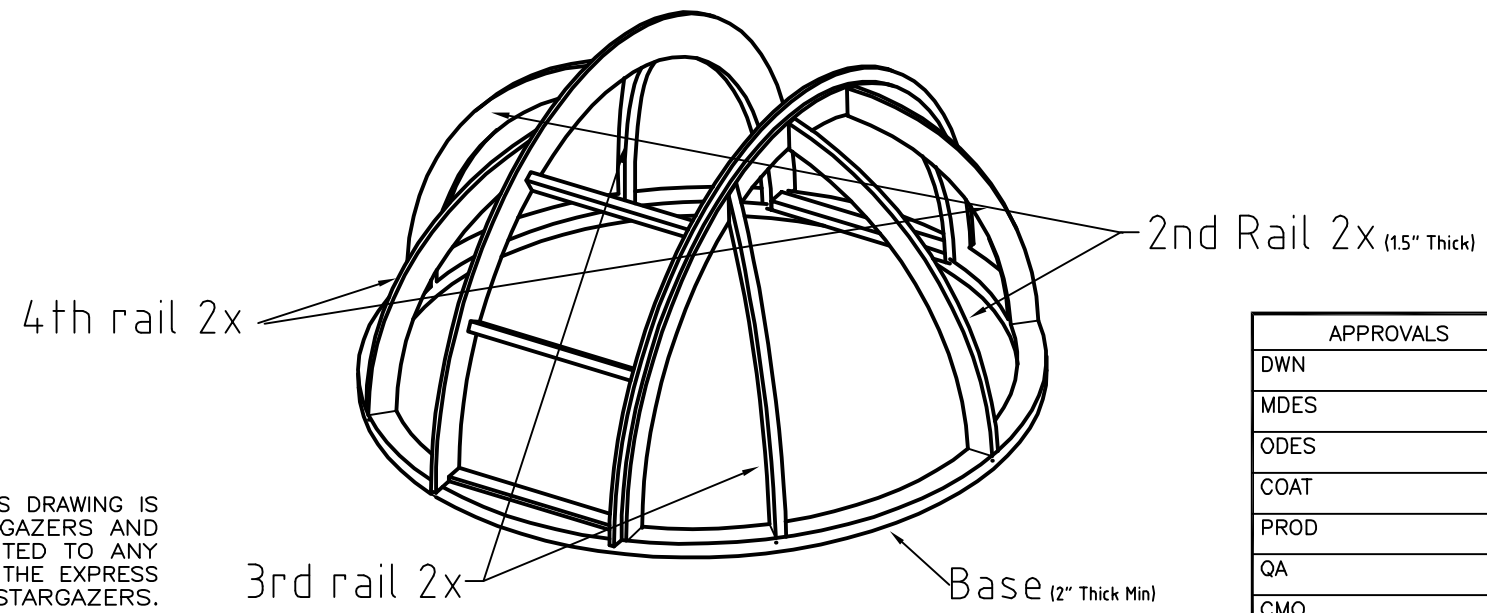


2nd Rail  
2 Required

3rd Rail  
2 Required

4th Rail  
2 Required

4'x 8'x 3/4"  
PLYWOOD  
makes 1 each  
of rails  
2, 3, & 4



4th rail 2x

2nd Rail 2x (1.5" Thick)

3rd rail 2x

Base (2" Thick Min)

PROPRIETARY

THE INFORMATION CONTAINED ON THIS DRAWING IS THE PROPERTY OF MIDLAND STARGAZERS AND SHALL NOT BE SHOWN OR EXHIBITED TO ANY PERSONS OR CORPORATION WITHOUT THE EXPRESS WRITTEN CONSENT OF MIDLAND STARGAZERS.

APPROVALS	DATE
DWN	
MDES	
ODES	
COAT	
PROD	
QA	
CMO	

**MIDLAND STARGAZERS**

**2ND, 3RD & 4TH RAILS**

SIZE	FSCM NO	<b>2 EA. REQUIRED</b>	REV
B	36126		A
SCALE	1/1	REF: PROJECT	SHEET <b>4 OF 4</b>

PART NO. CONSISTS OF DRAWING NO. PLUS DASH NO.

4

3

2

1

B

A

B

A

REV A

SHT

000000

DWG NO