

4

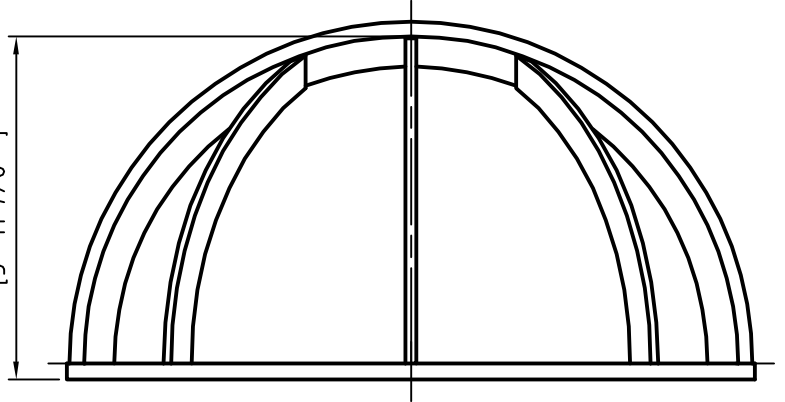
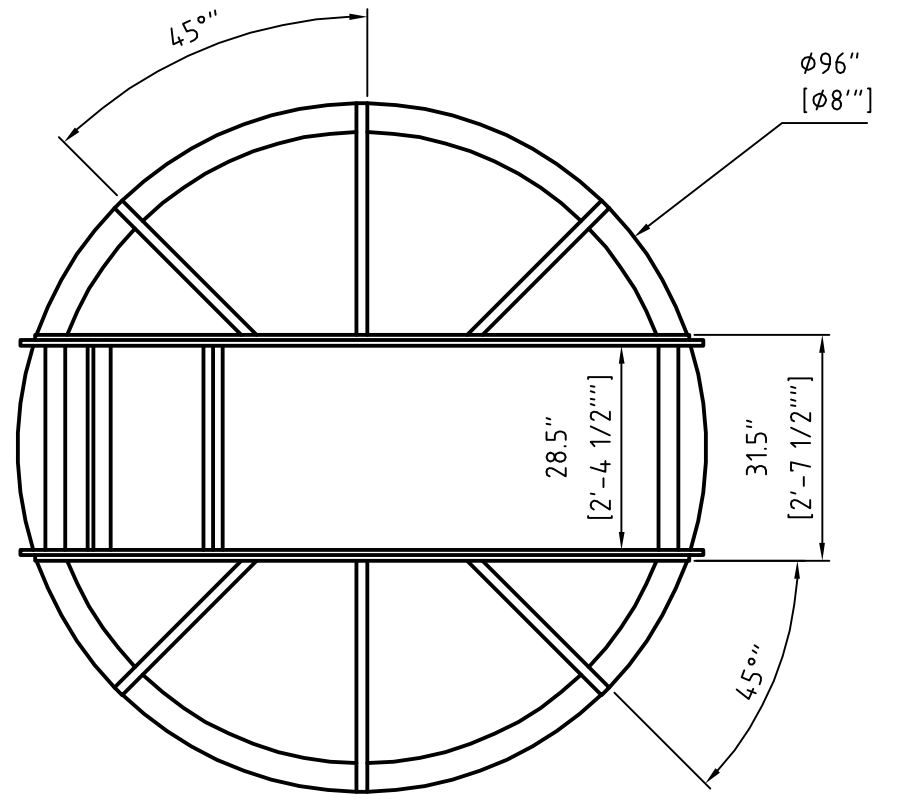
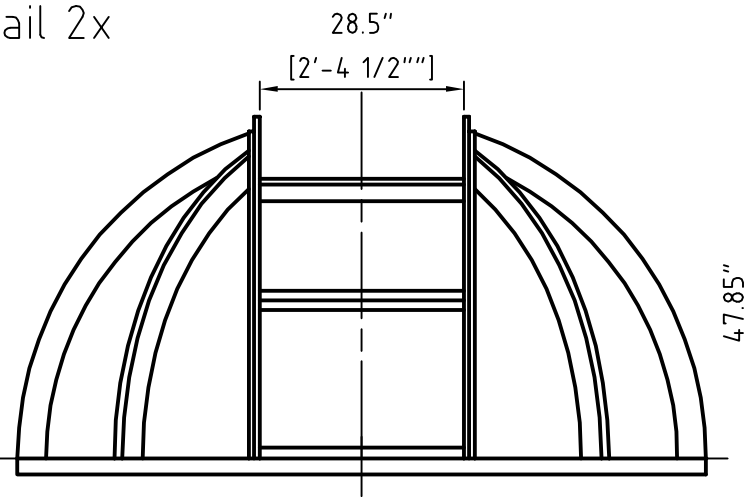
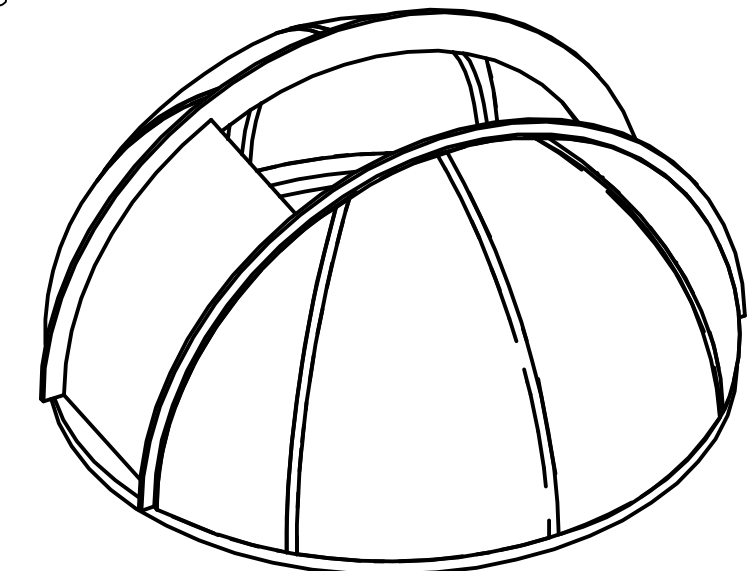
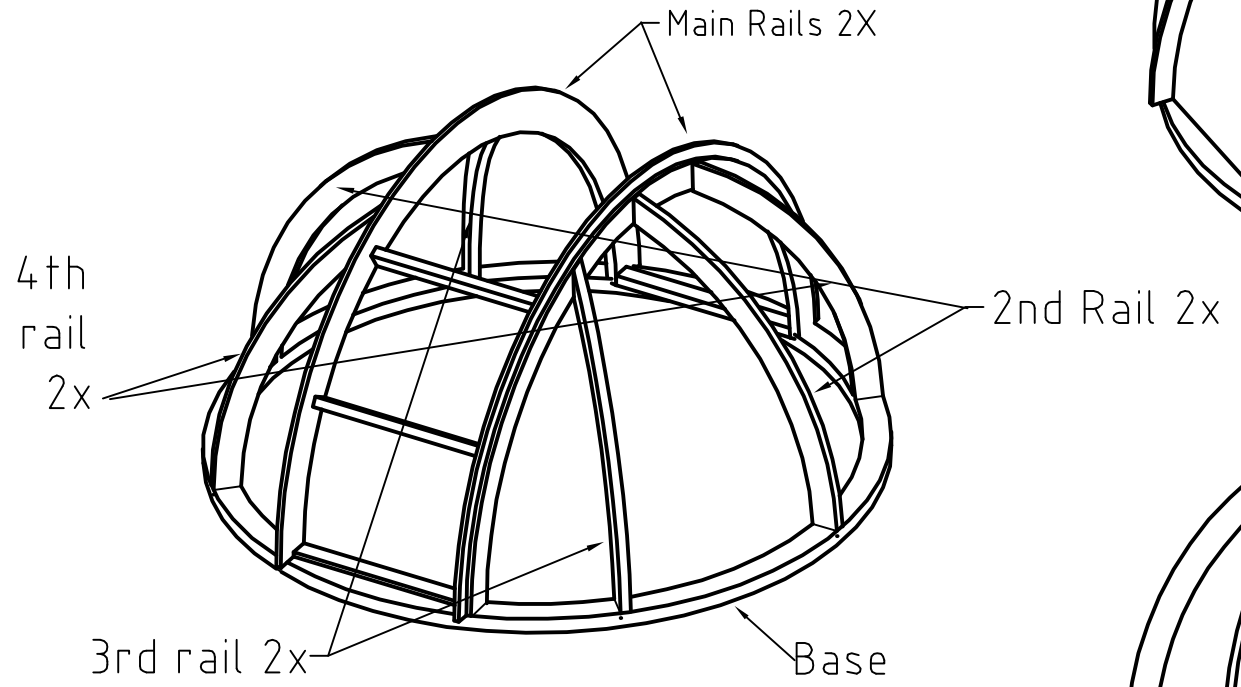
3

2

1

REVISIONS			
REV	DESCRIPTION	DATE	APPROVED

SHEATH THE DOME USING
 $\frac{1}{8}$ " THICK PLYWOOD MAX. AS
 ANYTHING THICKER WILL NOT
 BE FLEXIBLE ENOUGH TO BEND
 TO SHAPE.



B

B

A

A

REV A
 SHT 000000
 DWG NO

PROPRIETARY
 THE INFORMATION CONTAINED ON THIS DRAWING IS
 THE PROPERTY OF MIDLAND STARGAZERS AND
 SHALL NOT BE SHOWN OR EXHIBITED TO ANY
 PERSONS OR CORPORATION WITHOUT THE EXPRESS
 WRITTEN CONSENT OF MIDLAND STARGAZERS.

APPROVALS	DATE
DWN	
MDES	
ODES	
COAT	
PROD	
QA	
CMO	

MIDLAND STARGAZERS
DOME ASSEMBLY

SIZE B	FSCM NO 36126	XXXXXXXXXX	REV A
SCALE 1/1	REF: PROJECT	SHEET 1 OF 4	

4

3

2

1